



# **Eberspächer**

**Hochdruck Hydraulik • High-pressure hydraulics**

## Manual Hydraulic Pumps



**up to 700 bar**  
**3 – 20 cm<sup>3</sup> per work cycle**  
**stepless adjustable**

**Rent service: jacks with  
locking ring, flat jacks  
pumps etc.**

**We are your professional partner when it comes to heavy loads.**



**Design:**

Manual pump with variable flow rate. The flow rate is adjusted by turning the lever.

The hand pumps are complete assemblies, including pressure gauge, drain valve and quick coupling male.

**Pressure medium:**

HLP hydraulic oils according to DIN 51525.

**Advantages:**

Adjusting the flow rate to the given conditions allows a very sensitive work.

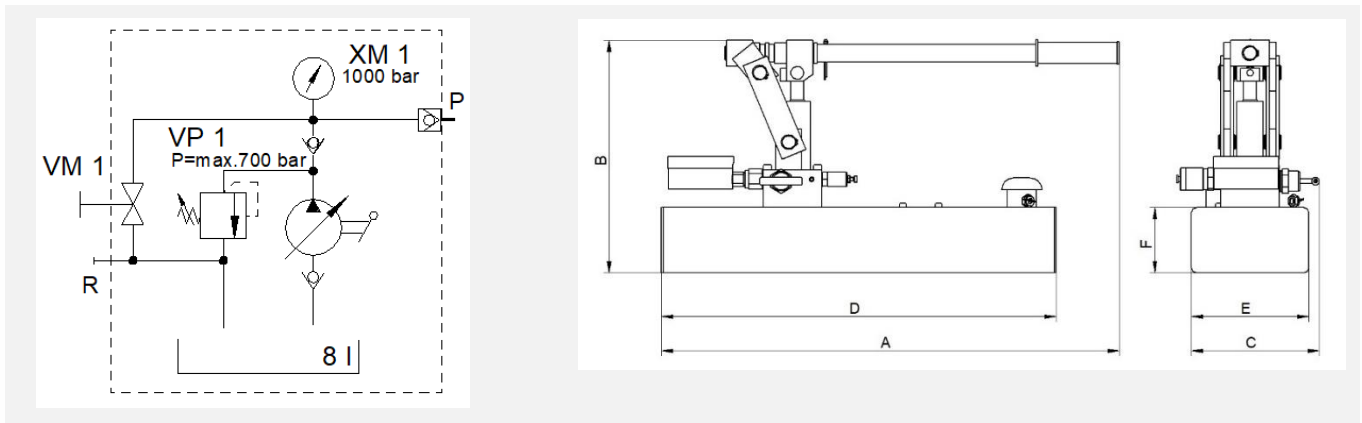
Adjusting the lever allows to keep the necessary operating power nearly at the same level.

**Scope of application:**

As flexible working pump, emergency pump or test pump in high pressure and low pressure hydraulic systems.

	Type	Tank capacity [L]	Main dimensions [mm]						kg
			A	B	C	D	E	F	
f. single-acting cylinder (up to 700 bar)	AV 319	8	700	355	215	600	180	100	21
	AV 325	20	700	472	355	600	200	217	23
	AV 326	40	700	535	410	610	280	280	31
f. double-acting cylinder (up to 630 bar)	AV 330	8	700	355	215	600	180	100	25
	AV 331	20	700	472	355	600	200	217	31
	AV 332.1	40	700	535	410	610	280	280	35

**Illustration of single-acting manual hydraulic pump**



Eberspächer GmbH · Im Auchttert 27 · 73230 Kirchheim/Teck-Nabern · Germany  
Phone +49(0) 7021 95060-0

[info@eberspaecher-hydraulik.de](mailto:info@eberspaecher-hydraulik.de) · [www.eberspaecher-hydraulik.de](http://www.eberspaecher-hydraulik.de)

Errors and technical changes excepted

